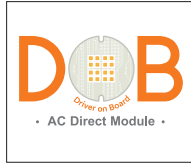


AF6L

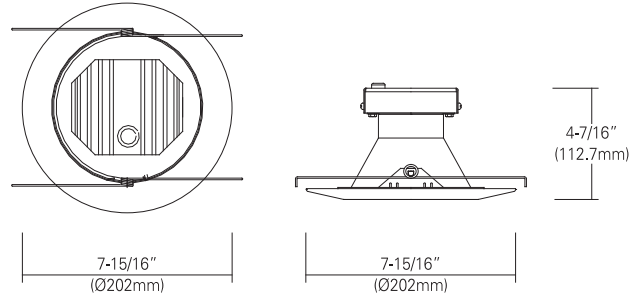
120V, 220V-230V and 277V

6" LED Recessed Retrofit-Kit, Shower Trim



Catalog #		Type
Project		Date
Prepared by		

6" LED



DESCRIPTION

The 6" Retrofit LED module & trim kit with E26 medium screw base for the 6" IC/Airtight and Non-IC incandescent recessed downlight and GU24 adapter for CFL housing. It's designed for use with ISLT # IC-206, DL-106, shallow IC-406, DL-406 and the remodeled including other compatible most 6" housings classified by CSA-us. High efficacy 120V DOB (Driver On Board) Module (Campcell®) LED with integral triac dimmable, and the optical diffusion produces high lumen transmission and even illumination. Suitable for damp location.

SPECIFICATION

Input Voltage	120V and 277V AC
Wattage (Typ)	12.5W
Lumen (Typ)	800
Efficacy (LPW)	64 lm/W
Compatible Housing	See Housing Compatibility section
CRI (Typical)	80, 90
Color (+/-5%)	2700K, 3000K, 4000K
Dimming	Triac or 0-10V(Consult with factory for approved dimmers)

FEATURES and FUNCTIONS

- Aluminum extruded Heat sink designed to facilitate heat dissipation.
- Torsion springs are pre-installed.
- 120V AC LED module with intergrated IC chip imbed on board.
- E26 adaptor is standard, optionally available in GU24 adaptor.
- Gasketed clear glass lens with etched center.

Listing

- CSA-us Certificated
- State of california Title 24
- Energy star Approved & Listed
- Wet location

Warranty

- 5years of lamp life.

ORDERING INFORMATION

Housing	CRI	CCT	Metal Trim Ring Finish	
AF6L 6" LED Retrofit 12.5W	8 80	27 2700K	WH White	MO Mocha
	9 90	30 3000K 40 4000K	BK Black	CA Cappuccino
			SN Satin Nickel	CH Chrome
			AN Antique Nickel	UM Natural Steel
			AC Antique Copper	PB Polished Brass

*Consult with factory for custom finishes

Example : AF6L-830-WH

- -

HOUSING COMPATIBILITY

5" & 6" LED

5" & 6" Listed for installation in the following Ilslung E26 screw based 5" and 6" standard and shallow recessed housings;

- **ISLT 5"** : IC-205, IC-205R, DL-205, DL-205R
- **ISLT 6"** : IC-206, IC-206R, DL-106, DL-106R, Shallow: IC-406, IC-406R, DL-406, DL-406R, ICF-106A-GU24, ICF-106RAT-GU24 (GU24 base adapter only)

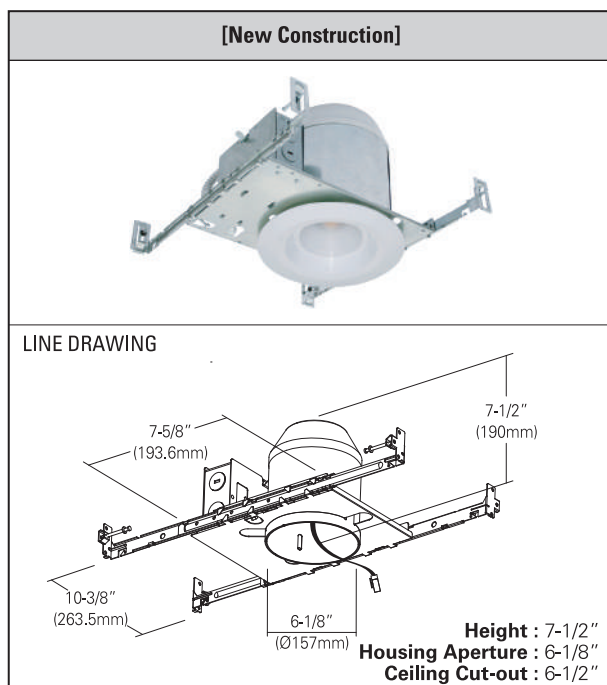
Classified for retrofit in the following 5" and 6" recessed housing;

- **H a l o**
 - 5" : H5ICAT, H5RICAT, H5T, H5RT, H25ICAT
 - 6" : H7ICAT, H7RICAT, H7ICT, H7RICT, H7ICATNB, H7ICTNB, H7T, H7RT, H7TNB, H7TCP, H7UICAT, H7UICAT, H27ICAT, H27RICAT, H27ICT, H27RICT, H27T, H27RT
- **All-Pro**
 - 5" : 500AT, EI500RAT, ET500, ET500R
 - 6" : EI700AT, EI700RAT, E700ATNB, EI700, EI700R, EI700ATNB, EI700NB, ET700, ET700R, EI700U, EI700UAT, E2700AT, EI2700, EI2700R, ET2700, ET2700R
- **Juno**
 - 5" : IC25, IC25R, IC25W, IC25S
 - 6" : IC22, IC22R, IC22W, IC22S, IC23, IC23W, IC21, IC21R, TC2, TC2R, IC20, IC20R, TC20, TC20R
- **Capril** : CR1, PR1, QL1, R9ASIC
- **Lithonia** : L7X, L7XP
- **Thomas** : PS1, R9ASIC/PS9RM
- **Prescolite** : IBXS

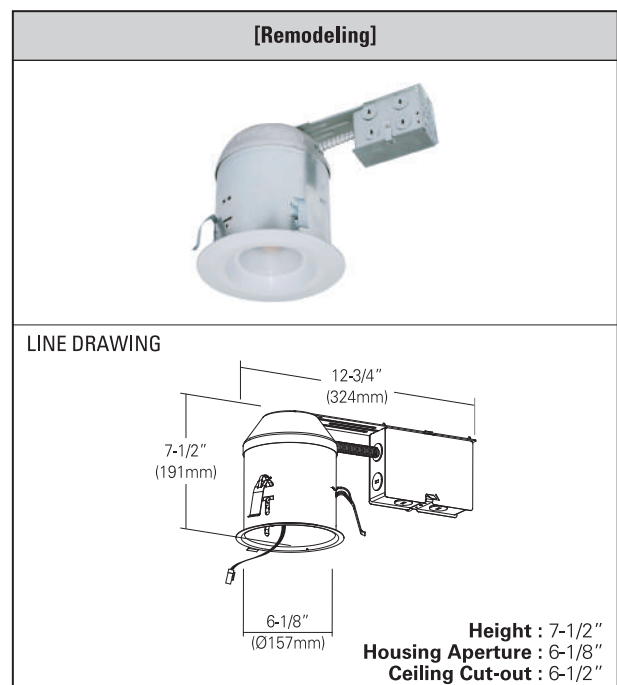
UL 1598 COMPLETE DOWNLIGHT (with hard wiring)

* Sell Separately

Housing# : ICED-706



Housing# : ICED-706R



Applications: For use in insulated ceilings and can be installed in direct contact with insulation.
- Combine with most of ISLT's 6" LED Retrofit-Kit models.