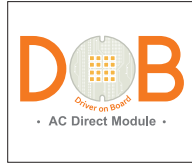


# CMED-207F

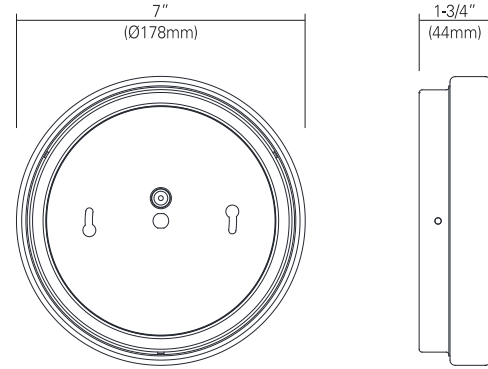
120V, 220V-230V and 277V

7" LED Ceiling Flush Mount fixture



Catalog #		Type
Project		Date
Prepared by		

## LED



### DESCRIPTION

CMED-207F is designed for the installation with ceiling flush mounted for indoor circumstance. It can be mounted with 4" J-box. Low heat, long life running from DOB technology can warrant more than 5 years.

### SPECIFICATION

HOUSING	CMED-207F
Wattage (Typ)	11 W
Lumen (Typ)	750
Efficacy (LPW)	68 lm/W
CRI (Typical)	80, 90
Color (+/-5%)	2700K, 3000K, 3500K, 4000K, 5000K
Dimming	Triac and 0-10V the both

### FEATURES and FUNCTION

- 120V AC LED module with integrated IC chip imbed on board and 10-100% Triac dimming with most of leading and trailing edge dimmer switches in the market. also available with 220~230V AC module.
- Hard gauge metal back plate and the heat sink to facilitate heat dissipation.
- Soft diffused lens delivers perfect light distribution.
- 90CRI Standard. Available in 2700K, 3000K, 3500K, 4000K and 5000K.
- Triac dimmable standard.

#### Listing

- cCSA-us Certificated
- State of California Title 24
- Energy star Approved & Listed
- Damp location

#### Warranty

- 5 years of lamp life.

### ORDERING INFORMATION

\* Consult with factory for approved dimmers

Housing	CRI	CCT
CMED-207F 7", 11W	8 80	27 2700K
	9 90	30 3000K
		35 3500K
		40 4000K
		50 5000K

Example : CMED-207F-830

-