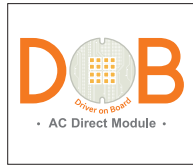


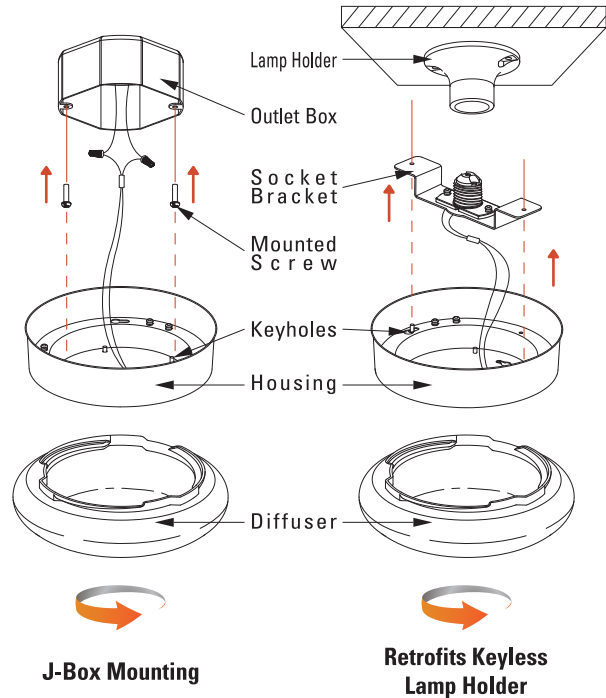
CMED-707(PD)

120V, 220V-230V and 277V
LED Ceiling Flush Mount with Spinnable E26 Base



Catalog #		Type
Project		Date
Prepared by		

Flush Mount LED



FEATURES and FUNCTIONS

- 120V AC LED module with integrated IC chip imbed on board and 10-100% Triac dimming with most of leading and trailing edge dimmer switches in the market. also available with 220~230V AC module.
- Hard gauge metal back plate and the heat sink to facilitate heat dissipation.
- PC diffused lens delivers perfect light distribution.
- 90CRI Standard. Available in 2700K, 3000K, 3500K, 4000K and 5000K.
- Triac dimmable standard.

Listing

- CSA-us Certified
- Energy star Approved & Listed
- State of california Title 24
- Damp location

Warranty

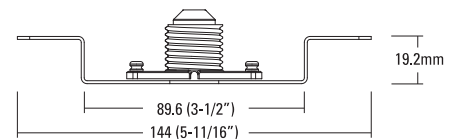
- 5years of lamp life.

SPECIFICATION

HOUSING	CMED-707
Shade Diameter (D)	6-7/8" (Ø175mm)
Height (H)	3-15/16" (94mm)
Wattage (Typ)	12W
Lumen (Typ)	830
Efficacy (LPW)	69 lm/W
Dimming	Triac & 0-10V the both(Consult with factory for approved dimmers)

Optional kit

- 7MTL-E26



ORDERING INFORMATION

Housing	CRI	CCT	Finish	Optional Kit
CMED-707 12W	8 80	27 2700K	WH White	7MTL-E26
CMED-707PD 12W	9 90	30 3000K	BK Black	
		35 3500K	BN Brush Nickel	
		40 4000K	SN Satin Nickel	
		50 5000K	CH Chrome	
			*Consult with factory for custom finishes	

Example : CMED-707-830-WH

- -