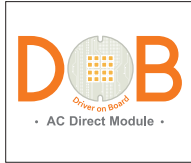


DFR-F

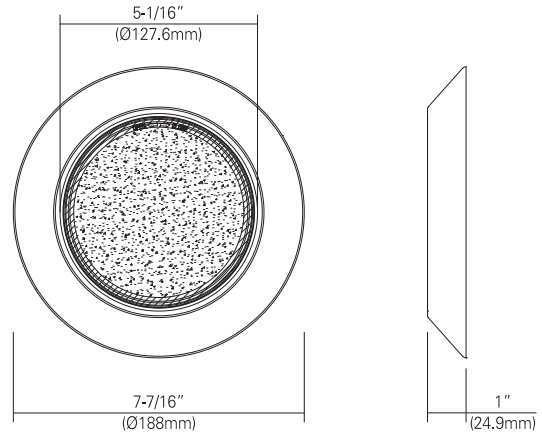
120V, 220V-230V and 277V

5/8" LED Low Profile Flat Diffuser Surface & Recessed Disk Light



Catalog #		Type
Project		Date
Prepared by		

6" LED



DESCRIPTION

DFR-F series accomplish the task of recessed downlight without the time and cost of labor with drywall. It's designed to either use a direct 4" J-Box or allow exiting recessed can to be retrofitted .

SPECIFICATION

HOUSING	DFR-F	
Wattage (Typ)	15W	
Lumen (Typ)	850(90CRI)	1,100(90CRI)
Efficacy (LPW)	57 lm/W	73 lm/W
Beam Angle	110°	
C R I (Typical)	80, 90	
Color (+/-5%)	2700K, 3000K, 3500K, 4000K, 5000K	
Dimming	Triac(Consult with factory for approved dimmers)	

FEATURES and FUNCTIONS

- 120V AC LED module with integrated IC chip imbed on board and 10-100% Triac dimming with most of leading and trailing edge dimmer switches in the market.
- Hard gauge metal back plate and the heat sink to facilitate heat dissipation.
- PC diffused lens delivers perfect light distribution.
- 90CRI Standard. Available in 2700K, 3000K, 3500K, 4000K and 5000K.
- Triac dimmable standard.

Listing

- CSA-us Certified
- Energy star Approved & Listed
- State of california Title 24
- Wet location

Warranty

- 5years of lamp life.

ORDERING INFORMATION

Housing	CRI	CCT	Finish	Optional Kit for Recess Mount
DFR-F 5&6", 15W	8 80 9 90	27 2700K 30 3000K 35 3500K 40 4000K 50 5000K	WH White BK Black BN Brush Nickel BZ Bronze	5,6MTL DFR56 kit for 5/6" Recess cans

Example : DFR-F-930-WH

- -

J-Box Mounting

