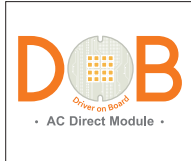


DFR4(56)

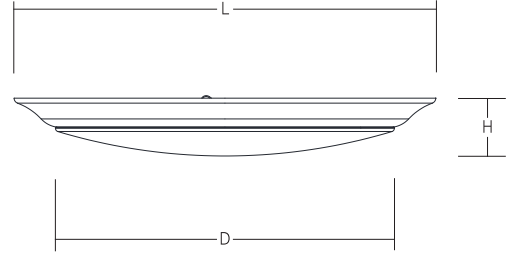
120V, 220V-230V and 277V

4" and 5/6" LED Low Profile Round Surface & Recessed Disk Light



Catalog #		Type
Project		Date
Prepared by		

4" & 6" LED



Dimension Table

Housing	[DFR4-10]	[DFR56-12]
L (Overall Diameter)	5-7/8" (Ø150mm)	7-3/8" (Ø188mm)
D (Diffuser Diameter)	3-7/8" (Ø98mm)	5-1/2" (Ø141mm)
H (Height)	1-1/8" (30mm)	1-1/4" (32.5mm)

DESCRIPTION

DFR series accomplish the task of recessed downlight without the time and cost of labor with drywall. It's designed to either use a direct 4" J-Box or allow exiting recessed can to be retrofitted.

SPECIFICATION

HOUSING	DFR4-10	DFR56-12
Wattage (Typ)	10W	12W
Lumen (Typ)	700(90CRI)	900(90CRI)
Efficacy (LPW)	70 lm/W	75 lm/W
Beam Angle	108.5°	110°
CRI (Typical)	80, 90	
Color (+/-5%)	2700K, 3000K, 3500K, 4000K, 5000K	
Dimming	Triac(Consult with factory for approved dimmers)	

FEATURES and FUNCTIONS

- 120V AC LED module with integrated IC chip imbed on board and 10-100% Triac dimming with most of leading and trailing edge dimmer switches in the market.
- Hard gauge metal back plate and the heat sink to facilitate heat dissipation.
- PC diffused lens delivers perfect light distribution.
- 90CRI Standard. Available in 2700K, 3000K, 3500K, 4000K and 5000K.
- Triac dimmable standard.

Listing

- CSA-us Certified
- Energy star Approved & Listed
- State of California Title 24
- Wet location

Warranty

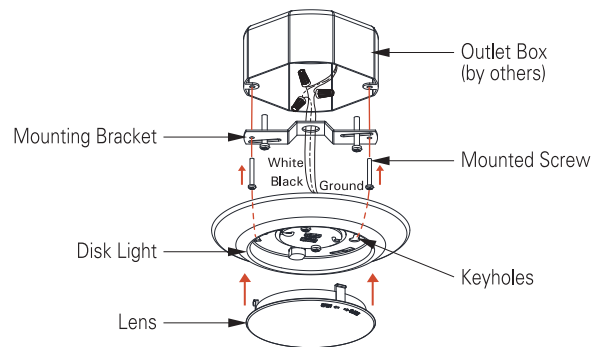
- 5years of lamp life.

ORDERING INFORMATION

Housing	CRI	CCT	Finish	Optional Kit for Recess Mount
DFR4-10 4", 10W	8 80	27 2700K	WH White	4MTL DFR4 kit for 4" Recess cans  5,6MTL DFR56 kit for 5/6" Recess cans 
DFR56-12 5&6", 12W	9 90	30 3000K	BK Black	
		35 3500K	BN Brush Nickel	
		40 4000K	BZ Bronze	
		50 5000K		

*Consult with factory for custom finishes

J-Box Mounting



Example : DFR56-12-930-WH

- -