

DLED-146

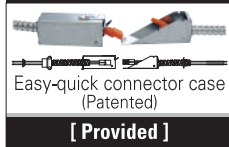
4" NON-IC, Architectural LED Frame-in Kit Downlight

14W & 22W LED, 120V ~ 277V Input



Catalog #		Type
Project		Date
Prepared by		

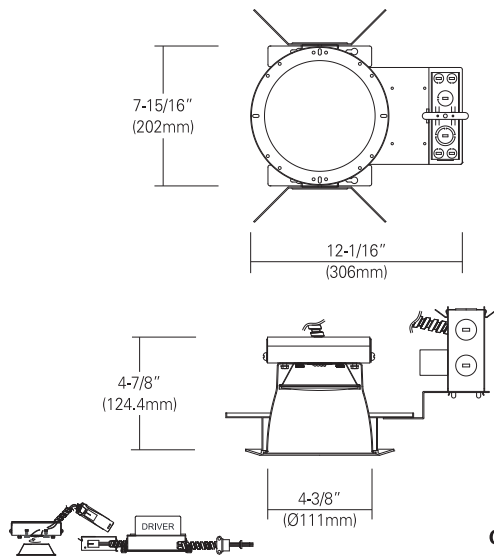
4" LED Frame-in Kit



 TML-149R Open Reflector	 TML-140B Baffle w/ Reflector	 TML-146B Baffle w/ Regressed Lens
 TML-146R Reflector w/ Regressed Lens	 TML-141 Wall Wash w/ Kick-off Plate	 TML-148 Reflector w/ Frosted Floating Lens

* All trims are rated for damp location, and regressed lens trims are for wet location listed.
* Wide beam reflector is standard. Also available in other beam in reflector.(consult with factory)

LINE DRAWING



Ceiling Cut-out : 5"

DESCRIPTION

4" Architectural frame-in kits combined with LED module and integral reflector. This is designed for use in non-insulated ceiling. Insulation material must be kept a minimum of 3" from fixture. Provided in high efficacy LED with dimmable driver and the special optical diffusion allows high lumen transmission and light uniformity.

ORDERING INFORMATION

Housing	Watts	CRI	CCT	Driver	Trim	Reflector Finish	Baffle Finish	Optional Metal Trim Ring Finish
DLED-146 4" Non-IC, Architectural LED Frame-in Kit	14 14W	8 80	27 2700K	UTD 120V, Triac Dimming (Standard) UZTD 120~277V, 0~10V Dimming	TML-149R	HC Haze Clear	WH White	WH White
	22 22W	9 90	30 3000K		TML-140B	WH White	BK Black	BK Black
			35 3500K		TML-146B			
			40 4000K		TML-146R			
			50 5000K		TML-141			
				TML-148				
*Option - EM=Emergency battery backup					*Consult with factory for custom finishes			

Example : DLED-146-22-830-UTD
 - - -

Example : TML-149R-HC-WH
 - -

SPECIFICATION

LED Quantity	1EA (COB)	
Input Voltage	120V ~ 277V AC	
Wattage (Typ)	14 W	22 W
Lumen (Typ)	1,400	1,980
Efficacy (LPW)	100 lm/W	90 lm/W
Beam Angle	67.7°	69.3°
CRI (Typical)	80, 90	
Color (+/-5%)	2700K, 3000K, 3500K, 4000K, 5000K	
Dimming	Triac & 0-10V the both(Consult with factory for approved dimmers)	

FEATURES and FUNCTIONS

- Mounting Frame : Galvanized steel with 1-5/8" deep collar.
- Junction Box : Listed for through branch circuit wiring. (4 in, 4 out)
- Heavy gauge aluminum reflector anodized in clear, haze, gold, champagne and pewter color finish.
- Aluminum extruded Heat sink designed to facilitate heat dissipation.
- Beam optic changeable with easy twist-on lock.
- Easy-quick metal connector case supplied allowing easy and sturdier wire connector. (USA patented)
- 120V~277V 60Hz Triac and 0-10V dimmable driver for most dimmers in the market.
- Commercial mounting kit provided up to 5" vertical adjustment, which accommodates 1/2" EMT conduit, optional HB-24 or HBC-24 bar hanger or lathing channels for T-bar grid or concealed spline ceiling.

- Listing**
- CSA-us & cETL
 - Energy star Approved & Listed
 - State of california Title 24
 - Damp location

- Warranty**
- 5years of lamp life.