

# DLED-186

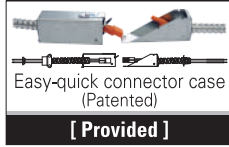
## 8" NON-IC, Architectural LED Frame-in Kit Downlight

14W, 22W, 33W & 43W LED, 120V ~ 277V Input



Catalog #		Type
Project		Date
Prepared by		

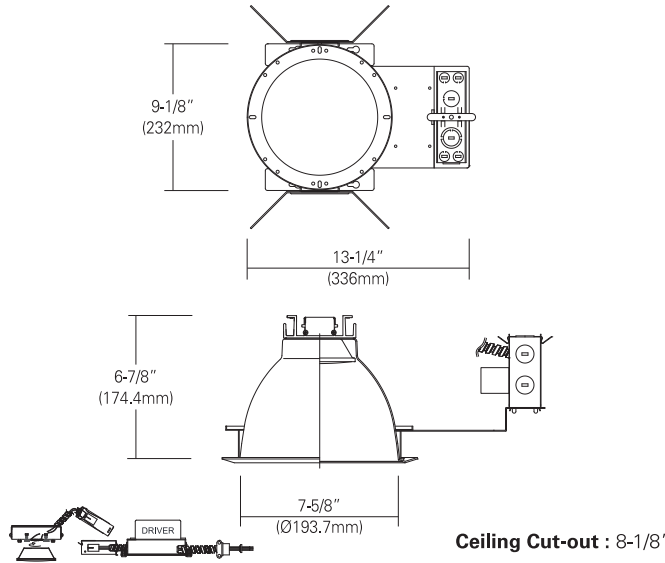
### 8" LED Frame-in Kit



 <b>TML-189R</b> Open Reflector	 <b>TML-180B</b> Baffle w/ Reflector	 <b>TML-186B</b> Baffle w/ Regressed Lens
 <b>TML-186R</b> Reflector w/ Regressed Lens	 <b>TML-181</b> Wall Wash w/ Kick-off Plate	 <b>TML-188</b> Reflector w/ Frosted Floating Lens

\* All trims are rated for damp location, and regressed lens trims are for wet location listed.  
\* Wide beam reflector is standard. Also available in other beam in reflector.(consult with factory)

### LINE DRAWING



### DESCRIPTION

8" Architectural frame-in kits combined with LED module and integral reflector. This is designed for use in non-insulated ceiling. Insulation material must be kept a minimum of 3" from fixture. Provided in high efficacy LED with dimmable driver and the special optical diffusion allows high lumen transmission and light uniformity.

### ORDERING INFORMATION

Housing	Watts	CRI	CCT	Driver	Trim	Reflector Finish	Baffle Finish	Optional Metal Trim Ring Finish
DLED-186 8" Non-IC, Architectural LED Frame-in Kit	14 14W	8 80	27 2700K	UTD 120V, Triac Dimming (Standard)	TML-189R TML-180B TML-186B TML-186R TML-181 TML-188	HC Haze Clear WH White	WH White BK Black	WH White BK Black
	22 22W	9 90	30 3000K					
	33 33W		35 3500K	UZTD 120~277V, 0~10V Dimming				
	43 43W		40 4000K 50 5000K					
*Option - EM=Emergency battery backup					*Consult with factory for custom finishes			
Example : DLED-186-22-830-UTD					Example : TML-189R-HC-WH			
[ ] - [ ] - [ ] - [ ]					[ ] - [ ] - [ ]			

### SPECIFICATION

LED Quantity	1EA (COB)			
Input Voltage	120V ~ 277V AC			
Wattage (Typ)	14 W	22 W	33 W	43 W
Lumen (Typ)	1,400	1,980	2,970	3,870
Efficacy (LPW)	100 lm/W	90 lm/W	90 lm/W	90 lm/W
Beam Angle	63.2°	64.2°	63.3°	61.7°
C R I (Typical)	80, 90			
Color (+/-5%)	2700K, 3000K, 3500K, 4000K, 5000K			
Dimming	Triac & 0-10V the both(Consult with factory for approved dimmers)			

### FEATURES and FUNCTIONS

- Mounting Frame : Galvanized steel with 1-5/8" deep collar.
- Junction Box : Listed for through branch circuit wiring. (4 in, 4 out)
- Heavy gauge aluminum reflector anodized in clear, haze, gold, champagne and pewter color finish.
- Aluminum extruded Heat sink designed to facilitate heat dissipation.
- Beam optic changeable with easy twist-on lock.
- Easy-quick metal connector case supplied allowing easy and sturdier wire connector. (USA patented)
- 120V~277V 60Hz Triac and 0-10V dimmable driver for most dimmers in the market.
- Commercial mounting kit provided up to 5" vertical adjustment, which accommodates 1/2" EMT conduit, optional HB-24 or HBC-24 bar hanger or lathing channels for T-bar grid or concealed spline ceiling.

- Listing**
- CSA-us & cETL
  - Energy star Approved & Listed
  - State of california Title 24
  - Damp location

- Warranty**
- 5years of lamp life.