

DLED-196R

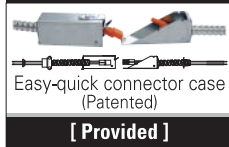
9" NON-IC, Remodel LED Frame-in Kit Downlight

14W, 22W, 33W & 43W LED, 120V ~ 277V Input



Catalog #		Type
Project		Date
Prepared by		

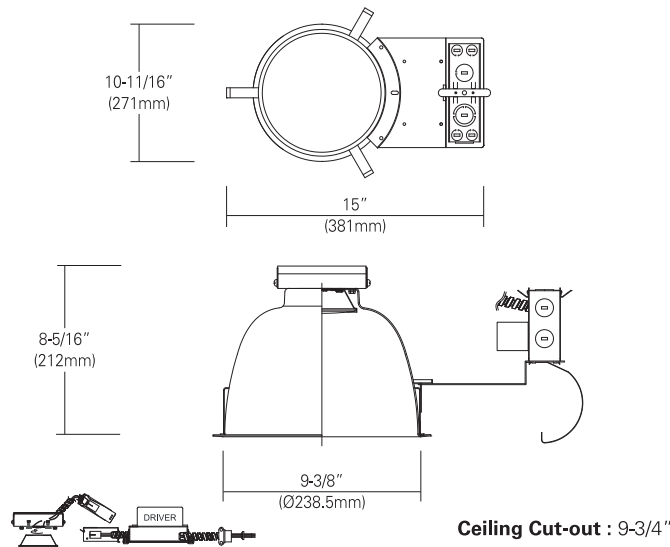
9" LED Remodel Frame-in Kit



TML-199R Open Reflector	TML-190B Baffle w/ Reflector	TML-196B Baffle w/ Regressed Lens

* All trims are rated for damp location, and regressed lens trims are for wet location listed.
* Wide beam reflector is standard. Also available in other beam in reflector.(consult with factory)

LINE DRAWING



DESCRIPTION

9" Remodel frame-in kits combined with LED module and integral reflector. This is designed for use in non-insulated ceiling. Insulation material must be kept a minimum of 3" from fixture. Provided in high efficacy LED with dimmable driver and the special optical diffusion allows high lumen transmission and light uniformity.

SPECIFICATION

LED Quantity	1EA (COB)			
Input Voltage	120V ~ 277V AC			
Wattage (Typ)	14 W	22 W	33 W	43 W
Lumen (Typ)	1,400	1,980	2,970	3,870
Efficacy (LPW)	100 lm/W	90 lm/W	90 lm/W	90 lm/W
Beam Angle	63.2°	66.5°	66.6°	63.3°
CRI (Typical)	80, 90			
Color (+/-5%)	2700K, 3000K, 3500K, 4000K, 5000K			
Dimming	Triac & 0-10V the both(Consult with factory for approved dimmers)			

FEATURES and FUNCTIONS

- Mounting Frame : Galvanized steel.
- Junction Box : Listed for through branch circuit wiring. (4 in, 4 out)
- Heavy gauge aluminum reflector anodized in clear, haze, gold, champagne and pewter color finish.
- Aluminum extruded Heat sink designed to facilitate heat dissipation.
- Beam optic changeable with easy twist-on lock.
- Easy-quick metal connector case supplied allowing easy and sturdier wire connector. (USA patented)
- 120V~277V 60Hz Triac and 0-10V dimmable driver for most dimmers in the market.
- 3 remodel clips secure housing and accommodates 1/2" and 5/8" ceiling materials.

Listing

- CSA-us & cETL
- Energy star Approved & Listed
- State of California Title 24
- Damp location

Warranty

- 5years of lamp life.

ORDERING INFORMATION

Housing	Watts	CRI	CCT	Driver	Trim	Reflector Finish	Baffle Finish	Optional Metal Trim Ring Finish
DLED-196R 9" Non-IC, Remodel LED Frame-in Kit	14 14W	8 80	27 2700K	UTD 120V, Triac Dimming (Standard)	TML-199R TML-190B TML-196B	HC Haze Clear WH White	WH White BK Black	WH White BK Black
	22 22W	9 90	30 3000K					
	33 33W		35 3500K					
	43 43W		40 4000K 50 5000K					
*Option - EM=Emergency battery backup					*Consult with factory for custom finishes			

Example : DLED-196R-22-830-UTD

[] - [] - [] - []

Example : TML-199R-HC-WH

[] - [] - []