

DLED-666

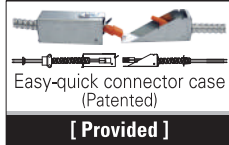
6" NON-IC, Architectural LED Flat Frame-in Kit Downlight

14W, 22W, 33W & 43W LED, 120V ~ 277V Input



Catalog #		Type
Project		Date
Prepared by		

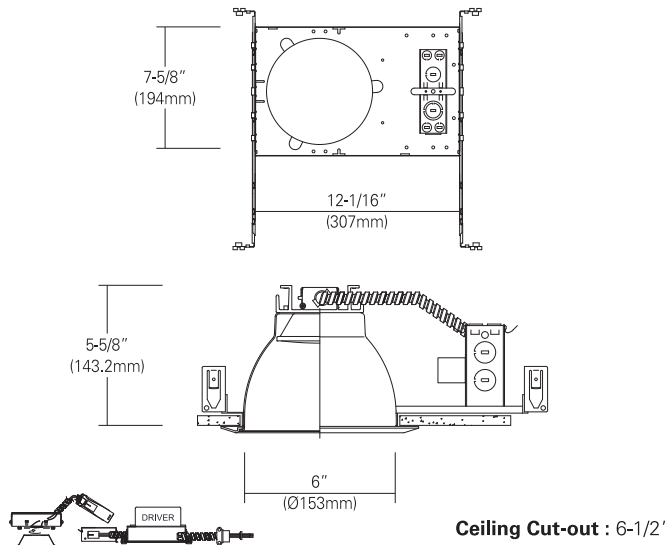
6" LED Flat Frame-in Kit



 TML-169R Open Reflector	 TML-160B Baffle w/ Reflector	 TML-166B Baffle w/ Regressed Lens
 TML-166R Reflector w/ Regressed Lens	 TML-161 Wall Wash w/ Kick-off Plate	 TML-168 Reflector w/ Frosted Floating Lens

* All trims are rated for damp location, and regressed lens trims are for wet location listed.
* Wide beam reflector is standard. Also available in other beam in reflector.(consult with factory)

LINE DRAWING



DESCRIPTION

6" flat frame-in kits combined with LED module and integral reflector. This is designed for use in non-insulated ceiling. Insulation material must be kept a minimum of 3" from fixture. Provided in high efficacy LED with dimmable driver and the special optical diffusion allows high lumen transmission and light uniformity.

SPECIFICATION

LED Quantity	1EA (COB)			
Input Voltage	120V ~ 277V AC			
Wattage (Typ)	14 W	22 W	33 W	43 W
Lumen (Typ)	1,400	1,980	2,970	3,870
Efficacy (LPW)	100 lm/W	90 lm/W	90 lm/W	90 lm/W
Beam Angle	72.6°	75.5°	77°	76.2°
CRI (Typical)	80, 90			
Color (+/-5%)	2700K, 3000K, 3500K, 4000K, 5000K			
Dimming	Triac & 0-10V the both(Consult with factory for approved dimmers)			

FEATURES and FUNCTIONS

- Mounting Frame : Galvanized steel, adjustable for ceilings up to 1/2" thick.
- Junction Box : Listed for through branch circuit wiring. (4 in, 4 out)
- Heavy gauge aluminum reflector anodized in clear, haze, gold, champagne and pewter color finish.
- Aluminum extruded Heat sink designed to facilitate heat dissipation.
- Beam optic changeable with easy twist-on lock.
- Easy-quick metal connector case supplied allowing easy and sturdier wire connector. (USA patented)
- 120V~277V 60Hz Triac and 0-10V dimmable driver for most dimmers in the market.
- 24" Bar Hangers provide stability and support on joists and T-Bar Grid ceilings.

Listing

- CSA-us & cETL
- Energy star Approved & Listed
- State of california Title 24
- Damp location

Warranty

- 5years of lamp life.

ORDERING INFORMATION

Housing	Watts	CRI	CCT	Driver	Trim	Reflector Finish	Baffle Finish	Optional Metal Trim Ring Finish
DLED-666 6" Non-IC, Architectural LED Flat Frame-in Kit	14 14W	8 80	27 2700K	UTD 120V, Triac Dimming (Standard)	TML-169R TML-160B TML-166B TML-166R TML-161 TML-168	HC Haze Clear WH White	WH White BK Black	WH White BK Black
	22 22W	9 90	30 3000K					
	33 33W		35 3500K	UZTD 120~277V, 0~10V Dimming				
	43 43W		40 4000K 50 5000K					
*Option - EM=Emergency battery backup					*Consult with factory for custom finishes			

Example : DLED-666-22-830-UTD
 - - -

Example : TML-169R-HC-WH
 - -