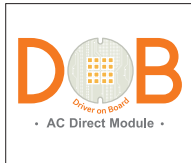


# LFK4

**4" NON-IC, Architectural LED Retrofit Downlight**  
10W, 15W & 20W LED, 120V ~ 277V Input



|             |  |      |
|-------------|--|------|
| Catalog #   |  | Type |
| Project     |  | Date |
| Prepared by |  |      |

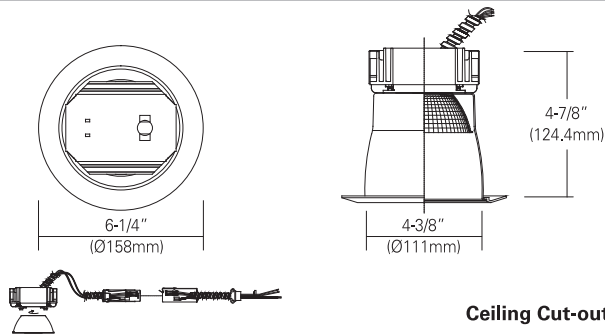


## 4" Architectural LED

|                                                                                                                                       |                                                                                                                                       |                                                                                                                                              |
|---------------------------------------------------------------------------------------------------------------------------------------|---------------------------------------------------------------------------------------------------------------------------------------|----------------------------------------------------------------------------------------------------------------------------------------------|
| <br><b>TML-149RD</b><br>Open Reflector              | <br><b>TML-140BD</b><br>Baffle w/ Reflector        | <br><b>TML-146BD</b><br>Baffle w/ Regressed Lens          |
| <br><b>TML-146RD</b><br>Reflector w/ Regressed Lens | <br><b>TML-141D</b><br>Wall Wash w/ Kick-off Plate | <br><b>TML-148D</b><br>Reflector w/ Frosted Floating Lens |

\* All trims are rated for damp location, and regressed lens trims are for wet location listed.  
\* Wide beam reflector is standard. Also available in other beam in reflector.(consult with factory)

### LINE DRAWING



### SPECIFICATION

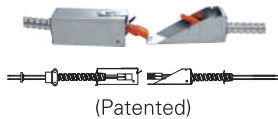
|                 |                                                                   |             |             |
|-----------------|-------------------------------------------------------------------|-------------|-------------|
| LED Quantity    | 1EA                                                               |             |             |
| Input Voltage   | 120V ~ 277V AC                                                    |             |             |
| Wattage (Typ)   | <b>10 W</b>                                                       | <b>15 W</b> | <b>20 W</b> |
| Lumen (Typ)     | 800                                                               | 1,200       | 1,600       |
| Efficacy (LPW)  | 80 lm/W                                                           | 80 lm/W     | 80 lm/W     |
| Beam Angle      | 20° / 40° / 70°                                                   |             |             |
| C R I (Typical) | 80, 90                                                            |             |             |
| Color (+/-5%)   | 2700K, 3000K, 4000K, 5000K                                        |             |             |
| Dimming         | Triac & 0-10V the both(Consult with factory for approved dimmers) |             |             |

### DESCRIPTION

The 4" Architectural grade LED Recessed Downlight Retrofit Trim Module with Clear Cone reflector. Designed for use with existing Ilung 4" Architectural Incandescent, Fluorescent and Metal Halide Housing. Also, compatible with most 4" architectural housings measuring aperture between 4-1/2" ~ 5" (See Housing Compatibility section).

### Provided

- Easy-quick connector case.
- Optional quick fit J-box.



### FEATURES and FUNCTIONS

- Heavy gauge aluminum reflector anodized in clear, haze, gold, champagne and pewter color finish.
- Aluminum extruded Heat sink designed to facilitate heat dissipation.
- Designed for use with most existing 4-1/2" ~ 5" aperture architectural incandescent, fluorescent and metal halide housings.
- Beam optic changeable with easy twist-on lock.
- Easy-quick metal connector case supplied allowing easy and sturdier wire connector. (USA patented)
- 120~277V AC LED module with perfect dimming of Triac and 0-10V on one module.

### Listing

- CSA-us Certified
- State of California Title 24
- Energy star Approved & Listed
- Damp location

### Warranty

- 5 years of lamp life.

### ORDERING INFORMATION

| Housing                                                                             | Watts  | CRI  | CCT      | Beam Angle | Trim                                      | Reflector Finish | Baffle Finish | Optional Metal Trim Ring Finish |  |
|-------------------------------------------------------------------------------------|--------|------|----------|------------|-------------------------------------------|------------------|---------------|---------------------------------|--|
| LFK4<br>4" Non-IC,<br>Architectural LED<br>Retrofit downlight<br>with AC direct DOB | 10 10W | 8 80 | 27 2700K | N Narrow   | TML-149RD                                 | HC Haze Clear    | WH White      | WH White                        |  |
|                                                                                     | 15 15W | 9 90 | 30 3000K | M Medium   | TML-140BD                                 | WH White         | BK Black      | BK Black                        |  |
|                                                                                     | 20 20W |      | 40 4000K | W Wide     | TML-146BD                                 |                  |               |                                 |  |
|                                                                                     |        |      | 50 5000K |            | TML-146RD                                 |                  |               |                                 |  |
|                                                                                     |        |      |          |            | TML-141D                                  |                  |               |                                 |  |
|                                                                                     |        |      |          |            | TML-148D                                  |                  |               |                                 |  |
| *Option - EM=Emergency battery backup                                               |        |      |          |            | *Consult with factory for custom finishes |                  |               |                                 |  |

Example : LFK4-20-830-W



Example : TML-149RD-HC-WH



# FRK & LFK and SFK 4, 6, 8, 9 Architectural LED

120V&277V AC, Non-IC LED Retrofit-Kit

Architectural LED

## APPROVED DIMMER

### Triac Approved Dimmers

- **Lutron** : Skylark - SLV Series, SCL Series, Contour Series,  
Homeworks - RPM-4U\*, QS HQRD-6ND Series, QS HQRD-10ND Series  
Diva - DVCL Series, DVLV Series\*, Nova T NT Series  
Glyder GLV Series, Ariadni AYCL Series, RadioRA 2 10ND Series  
Maestro Wireless MRF 2-6ND Series
- **Lutron** : Skylark SELV Series\*, Homeworks QS HQRD-6NA\*,  
Maestro - MAELV Series\*, MRF 2-6ELV Series\*  
Diva DVELV Series\*, Nova T ☆ NTELV Series\*,  
RadioRA RRD-6NA Series\*
- **Leviton** : SureSlide 6633\*

### 0-10V Approved Dimmers

- **Lutron** : Nova® 0-10V : NTFTV  
Diva® 0-10V : DVTV
- **Leviton** : Decora 0-10V : IP710DL

\*Consult tech. service or factory for additional dimmers.

## HOUSING COMPATIBILITY

### FRK & LFK and SFK Series ETL Listed for installation in the following Ilsung standard architectural housings

|    |                                                                                                                                      |
|----|--------------------------------------------------------------------------------------------------------------------------------------|
| 4" | DLF-466, DLF-146(R), DLF-416(R), DLF-426, DL-4200A, DL-1420(R)A, DL-4200H, DL-1420(R)H                                               |
| 6" | DLF-666, DLF-166(R), DLF-616(R), DLF-626, DL-6200A, DL-1620(R)A, DL-6235A, DL-1635(R)A, DL-6200H, DL-1620(R)H, DL-6235H, DL-1635(R)H |
| 8" | DLF-866, DLF-186(R), DLF-816(R), DLF-826, DL-8200A, DL-1820(R)A, DL-8235A, DL-1835(R)A, DL-8200H, DL-1820(R)H, DL-8235H, DL-1835(R)H |
| 9" | DLF-966, DLF-196(R), DLF-916(R), DLF-926, DL-9200A, DL-1920(R)A, DL-9235A, DL-1935(R)A, DL-9200H, DL-1920(R)H, DL-9235H, DL-1935(R)H |

### FRK & LFK and SFK Series ETL Classified for retrofit in the following 6", 8" architectural housings

|    |                                                                                                                                                                                                                                                                            |
|----|----------------------------------------------------------------------------------------------------------------------------------------------------------------------------------------------------------------------------------------------------------------------------|
| 6" | <ul style="list-style-type: none"> <li>• <b>Halo</b> : PD6V142E, PD6V120, PD6V501E, PD6V701E, PD6V1001E</li> <li>• <b>Juno</b> : CV6-118T, CV6-126Q, CV6-126/32T, TC906, MX6-(50,70,100), M6-(70,100)</li> <li>• <b>Lithonia</b> : LP6F, CCR62, LP6H, LP6, LV</li> </ul>   |
| 8" | <ul style="list-style-type: none"> <li>• <b>Halo</b> : PD7V142E, PD7V120, PD7V501E, PD7V701E, PD7V1001E, PD7V70X1E, PD7V10X1E</li> <li>• <b>Juno</b> : CV8-126 / 32 / 42T, TC908, MX8-(70,100), M8-(70,100)</li> <li>• <b>Lithonia</b> : LP8F, CCR82, LP8H, LP8</li> </ul> |