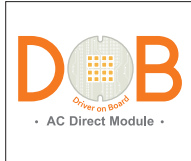


SFR(-CST)

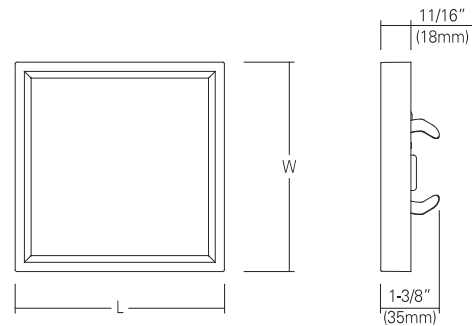
120V, 220V-230V and 277V

4" and 6" LED Slim Square Surface & Retrofit Down Light, CCT Selectable(optional)



Catalog #		Type
Project		Date
Prepared by		

4" & 6" LED



Dimension Table

Housing	[SFR4(-CST)-12]	[SFR6(-CST)-15]
L (Length)	4-15/16" (125mm)	7-5/16" (185mm)
W (Width)	4-15/16" (125mm)	7-5/16" (185mm)

DESCRIPTION

SFR series is designed for the installation with ceiling flush mount with its slim depth. It's designed to either use a direct 4" J-Box or allow exiting recessed can to be retrofitted by easy fit springs. Specially layered film/diffuser delivers superior light distribution and even uniformity.

SPECIFICATION

HOUSING	SFR4(-CST)-12	SFR6(-CST)-15
Wattage (Typ)	12W	15W
Lumen (Typ)	720(90CRI)	910(90CRI)
Efficacy (LPW)	60 lm/W	60.5 lm/W
CRI (Typical)	80, 90	
Color (+/-5%)	2700K, 3000K, 3500K, 4000K, 5000K	
Dimming	Triac(Consult with factory for approved dimmers)	

FEATURES and FUNCTIONS

- 120V AC LED module with integrated IC chip imbed on board and 10-100% Triac dimming with most of leading and trailing edge dimmer switches in the market.
- Hard gauge metal back plate and the heat sink to facilitate heat dissipation.
- PC diffused lens delivers perfect light distribution.
- 90CRI Standard. Available in 2700K, 3000K, 3500K, 4000K and 5000K.
- Triac dimmable standard.
- CCT Selectable(Optional)-CCT

Listing

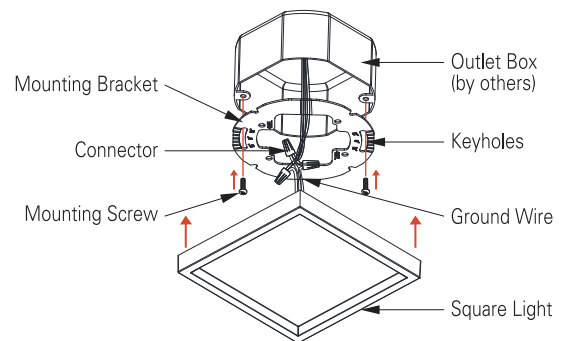
- CSA-us Certified
- Energy star Approved & Listed

- State of california Title 24
- Wet location

Warranty

- 5years of lamp life.

J-Box Mounting



ORDERING INFORMATION

Housing	CRI	CCT	Finish	Optional Kit for Recess Mount
SFR4-12 4", 12W	8 80	27 2700K	WH White	4MTL SFR4 kit for 4" Recess cans
SFR4-CST-12 12W, CCT Selectable	9 90	30 3000K	BK Black	
SFR6-15 6", 15W		35 3500K	SL Silver	5,6MTL SFR6 kit for 5/6" Recess cans
SFR6-CST-15 15W, CCT Selectable		40 4000K		
		50 5000K		

*Consult with factory for CCT range

*Consult with factory for custom finishes

Example : SFR4-12-927-WH

- -