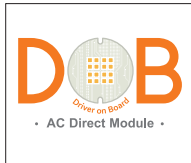


# STL-860

120V, 220V-230V and 277V




LED Brick Size Step Light

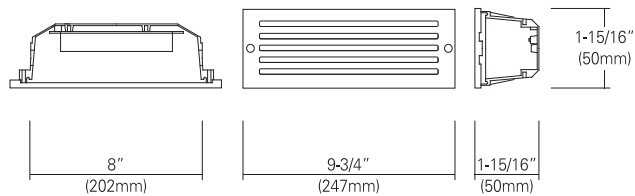


Catalog #		Type
Project		Date
Prepared by		



### Step LED

 <b>TM-861</b> Louvered Face Plate	 <b>TM-862</b> Open Face Plate	 <b>TM-863</b> Grilled Face Plate
---	--	---

### DESCRIPTION

The STL-860 is designed with linear LED module permanently installed in the fixture for easier, economical maintenance as of long lasting life of LED and supper fuctional smooth dimming by Trailing & Leading edge dimmers in the market.

### SPECIFICATION

HOUSING	STL-860
Wattage (Typ)	5W
Lumen (Typ)	220
Efficacy (LPW)	44 lm/W
C R I (Typical)	80, 90
Color (+/-5%)	2700K, 3000K, 4000K, 5000K
Dimming	Triac or 0-10V(Consult with factory for approved dimmers)

### FEATURES and FUNCTIONS

- Cast aluminum housing with stainless steel face plate.
- No heat radiation.
- Wet location listed to IP65 for indoor and outdoor installation.
- Tempered frosted glass diffused lens delivers perfect light distribution.
- 120V AC LED module with integrated IC chip imbed on board and 10-100% Triac dimming with most of leading and trailing edge dimmer switches in the market. Also available with 220V-230V AC module.
- 120V or 277V direct wiring , no drive needed.

#### Listing

- CSA-us Certificated
- State of california Title 24
- Energy star Approved & Listed
- Wet location

#### Warranty

- 5years of lamp life.

### ORDERING INFORMATION

Housing	CRI	CCT	Trims	Finish	Option
STL-860 5W	8 80 9 90	27 2700K 30 3000K 40 4000K 50 5000K	TM-861 Louvered TM-862 Open TM-863 Grilled	WH White BK Black SL Silver	HB-24 Hanger bar

\*Consult with factory for custom finishes

Example : STL-860-830-TM-861-WH

-  -  -