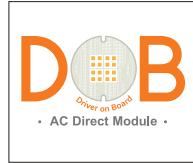


TMS124

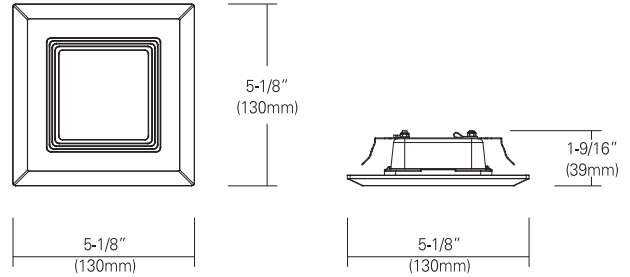
120V, 220V-230V and 277V

4" LED Recessed Square Retrofit-Kit



Catalog #		Type
Project		Date
Prepared by		

4" LED



DESCRIPTION

The 4" Square with low profile recessed retrofit LED module & trim kit with E26 medium screw base for the 4" IC/Airtight and Non-IC incandescent recessed downlight and GU24 adaptor for CFL housing. It's designed for use with most 4" housings classified.

SPECIFICATION

Input Voltage	120V and 277V AC
Wattage (Typ)	10W
Lumen (Typ)	700 (90CRI)
Efficacy (LPW)	70 lm/W
Compatible Housing	See Housing Compatibility section
CRI (Typical)	80, 90
Color (+/-5%)	2700K, 3000K, 4000K, 5000K
Dimming	Triac or 0-10V(Consult with factory for approved dimmers)

FEATURES and FUNCTIONS

- One piece light engine intergrated with durable die cast housing.
- Easy installation to housing by 3 crook clips to be compatible with most of cans.
- Heat treated frosted glass diffuse provides a soft, luminous glow.
- 120V AC LED module with intergrated IC chip imbed on borad.
- E26 adaptor is standard, optionally available in GU24 adaptor.
- Triac dimmable standard.

Listing

- CSA-us Certificated
- State of california Title 24
- Energy star Approved & Listed
- Damp location

Warranty

- 5years of lamp life.

ORDERING INFORMATION

Housing	CRI	CCT	Finish
TMS124 4" LED Square Retrofit 10W	8 80	27 2700K	WH White
	9 90	30 3000K	
		40 4000K	
		50 5000K	

*Consult with factory for custom finishes

Example : TMS124-830-WH

- -

HOUSING COMPATIBILITY

4" LED

4" Listed for installation in the following Ilslung E26 screw based 4" standard and shallow recessed housings;

- **ISLT** : DL-104, DL-104R, IC-104, ICF-104A-GU24, ICF-104RA-GU24 (GU24 base adapter only)

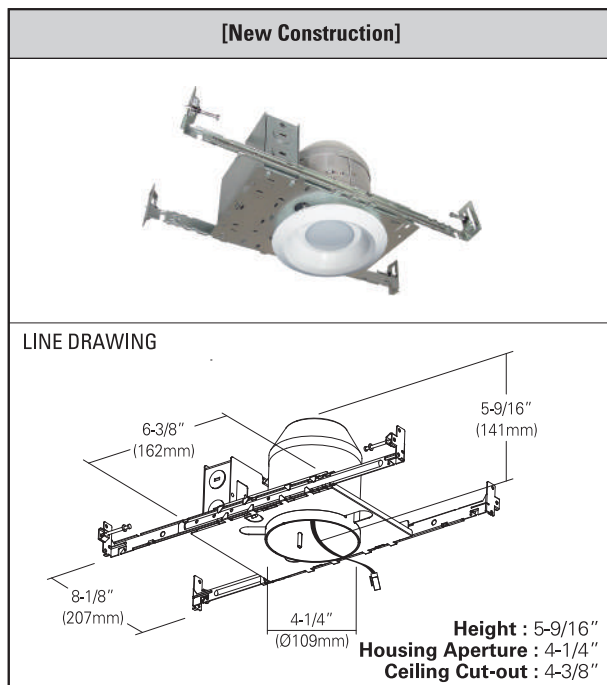
Classified for retrofit in the following 4" recessed housing;

- **H a l o** : H99T, H99RT, H99ICT
- **All-Pro** : ET400, ET400R, ET400AT
- **J u n o** : TC1, TC1R, IC1P
- **Capril** : R4, RR4, R4ASIC
- **Lithonia** : L3, L3R
- **Thomas** : PS4, PS4RM, PS4ASIC

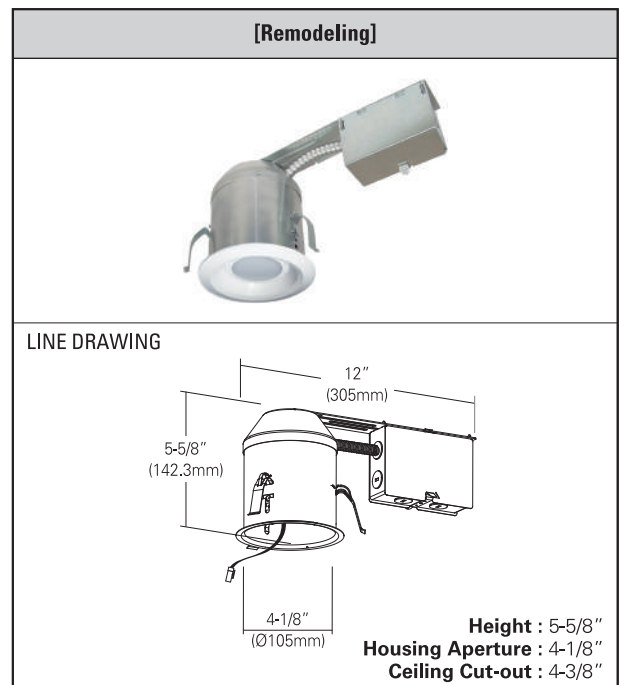
UL 1598 COMPLETE DOWNLIGHT (with hard wiring)

* Sell Separately

Housing# : ICED-104



Housing# : ICED-104R



Applications: For use in insulated ceilings and can be installed in direct contact with insulation.
 - Combine with most of ISLT's 4" LED Retrofit-Kit models.